



Bumper 100 PVC Fender Profile

From
£67.34

Excl. Tax: £56.12

Product Images





Short Description

The Bumper PVC fender profile is an innovative design. Bumper is able to absorb large impacts, offering the hull great protection against damage, whilst remaining extremely lightweight for its size. Bumper is perfect for a large range of applications including leisure boats and commercial vessels as well as docks, wharves and much more. Bumper is also often chosen for military craft, where function is paramount and weight must be kept to a minimum.

Bumper is simple to install and is made up of three separate pieces. A pair of base track sections of PVC hide the stainless steel fixing bar ([sold separately](#)) which compresses them securely to the installation surface. The third top profile element is then pushed into place, neatly concealing the stainless steel fixing bar and hiding any fixings.

Description

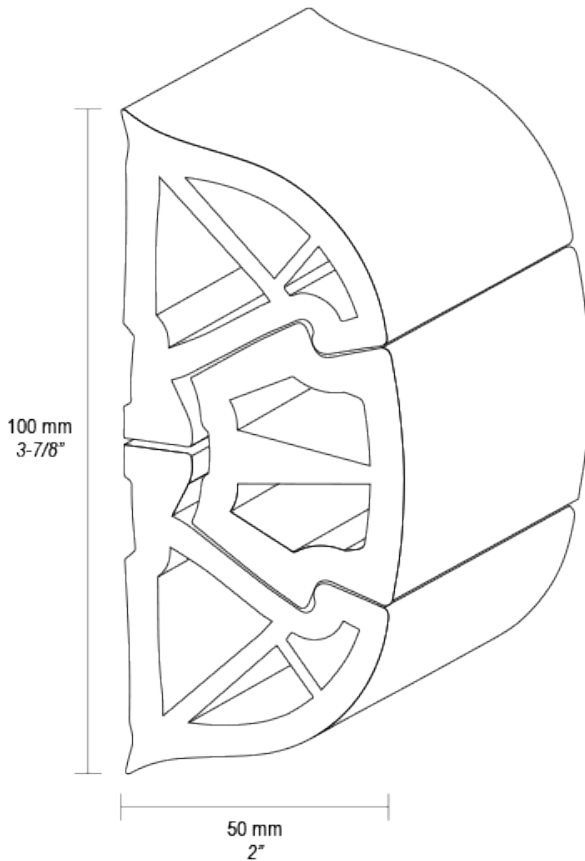
Selling Information

- The Bumper Rub Rail comes manufactured in three separate pieces and is sold by the metre. It is produced in custom made sizes or continuous rolls to suit all projects. A maximum roll length of 300 metres can be produced. **Please note that there is a minimum order quantity of 12 metres for this product.**
- **The stainless steel fixing bar is required in order to correctly install Bumper 100.**
- Available in three colors: white, black or grey

Materials

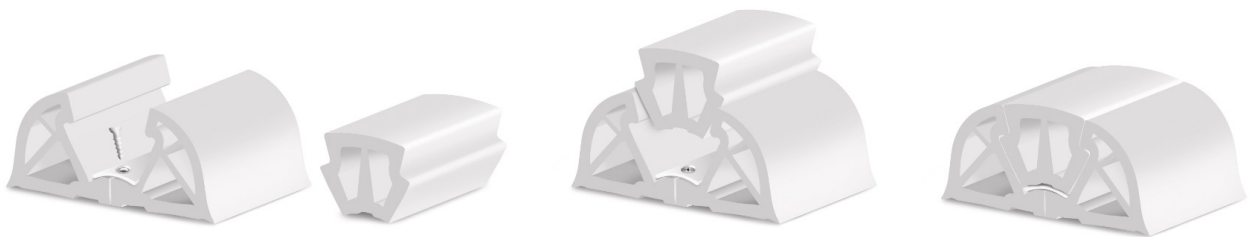
- PVC for marine application Shore 83 available in black – white- grey
- Stainless Steel pre-drilled insert bars in 2 meters (sold separately)

Drawing



Installation

Please carefully consult the installation guide found in the downloads section of this page for more information regarding the installation of Bumper. It is important that the product is installed according to the manufacturer's guidelines to ensure the correct performance of the profile.



Additional Information

Radius (mm)	111.25 / 24.33
Material	PVC
Weight (kg)	3.800000
Manufacturer	Tessilmare

Product Options

Finish:	White
	Grey
	Black

