



"2003 Series" Bow Roller

From
£250.63

Excl. Tax: £208.86

Product Images

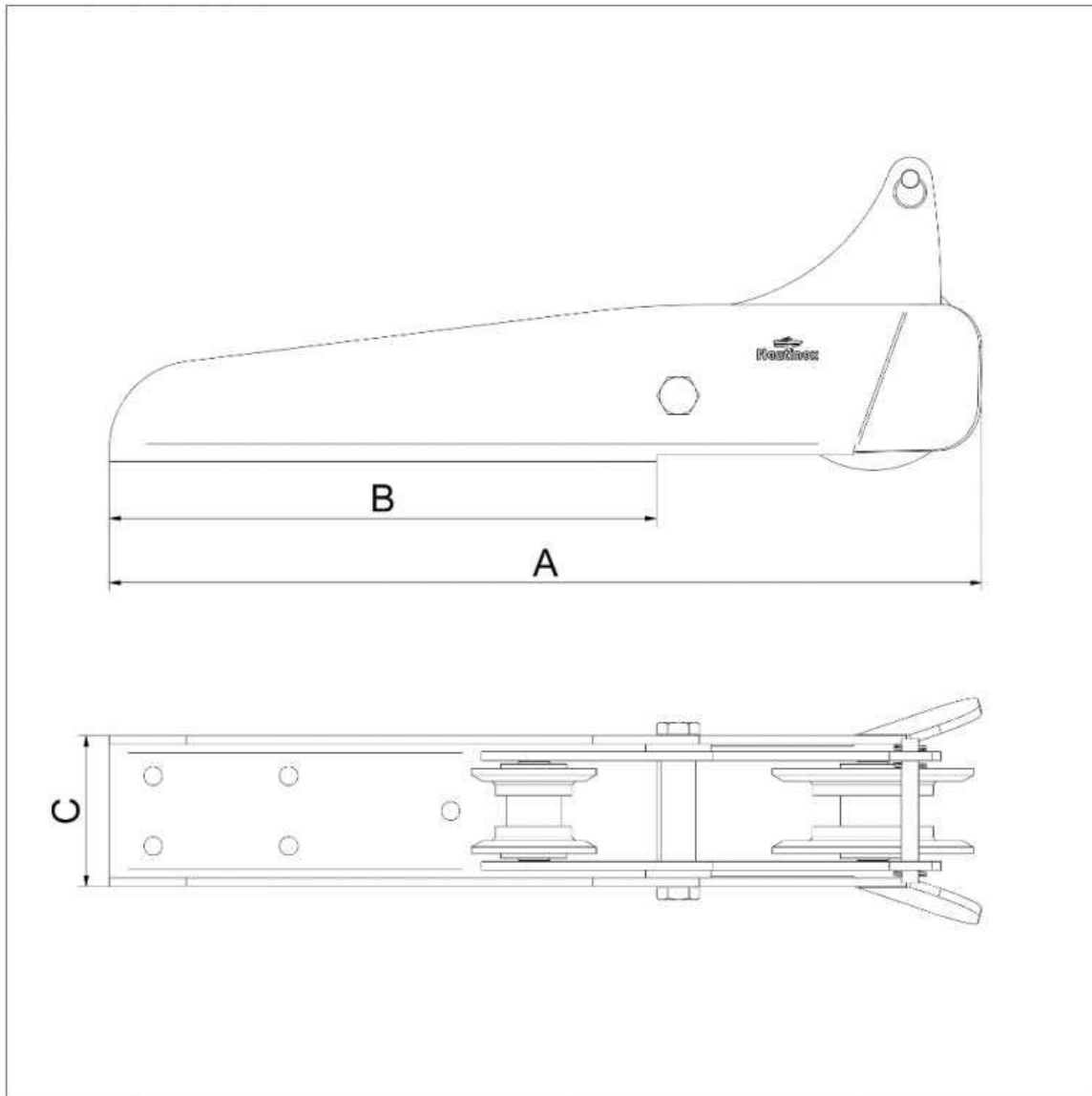


Short Description

The "2003 Series" range of bow rollers are made of 316 grade stainless steel. They feature a two wheel 'swinging system' to ease self-launching operations as well as a security pin. The "2003 Series" is ideal for electric winch applications.

Please note this is a non stocked item and the usual lead time is 14 days.

Description



Product Code	A	B	C	Thickness
2003SS	330	180	65	2.50
2003/40SS	400	250	70	4.00

2003/50SS	500	350	70	4.00
2003/60SS	600	450	70	4.00

Additional Information

Weight (kg)	10.000000
Manufacturer	Nautinox
Finish	316 Stainless Steel

Product Options

Length (mm):	330
	400
	500
	600

