



"2008 Series" Bow Roller

£71.94

Excl. Tax: £59.95

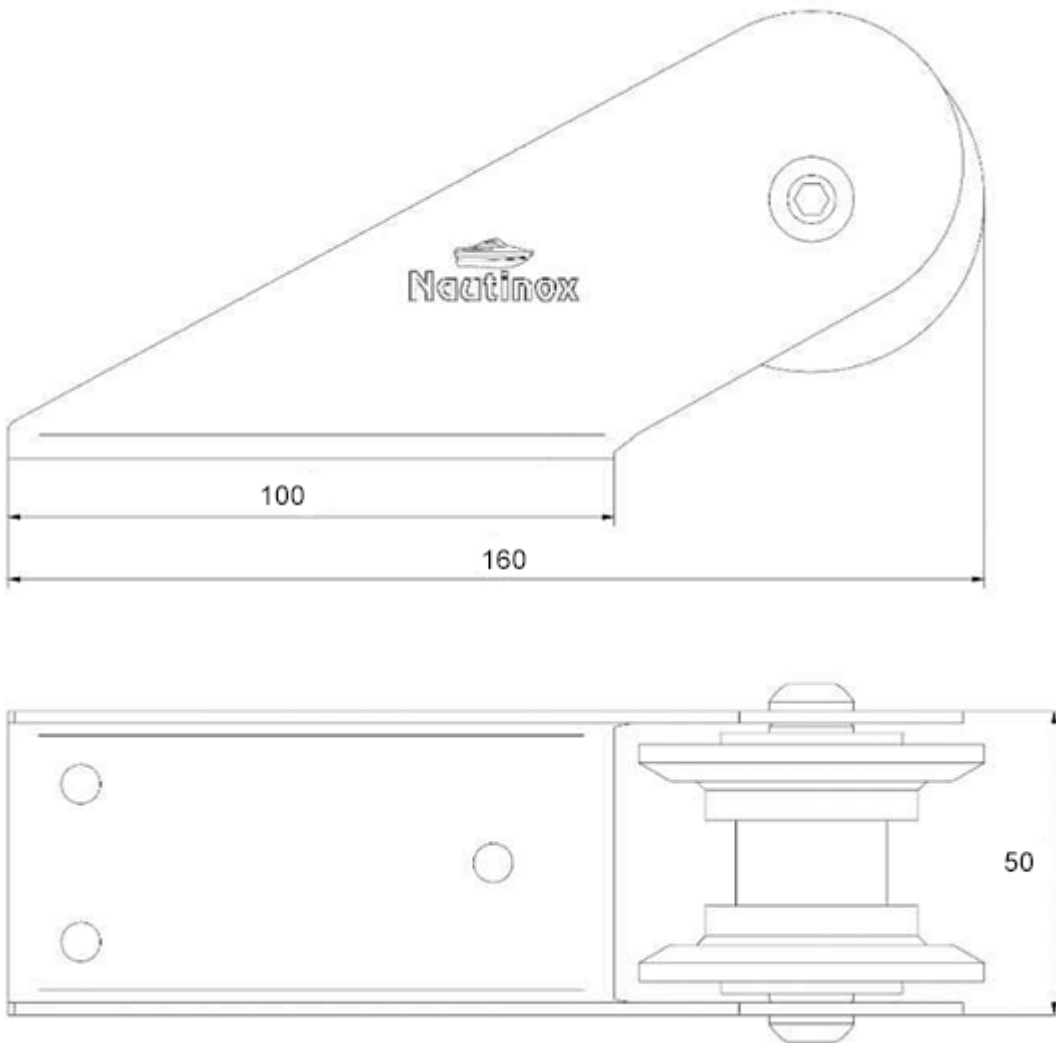
Product Images



Short Description

The "2008 Series" bow rollers is made from 2mm 316 grade stainless steel and features a brass rotation pin.
Please note this is a non stocked item and the usual lead time is 14 days.

Description



Additional Information

Length (mm)	160
Width (mm)	50.00
Material Thickness (mm)	2.00
Weight (kg)	11.000000
Manufacturer	Nautinox
Finish	316 Stainless Steel

