



Premium Hatch Locking Device - Ø90mm

From

£210.46

Excl. Tax: £175.38

Product Images



Short Description

This large polished stainless steel hatch lock is designed for either surface mounting or flush recessing into a hatch lid. The product comes with a counter plate to aid the secure clamping of the lock to the hatch lid. This is secured in place with a single nut. Please consult [FST](#) variant for the alternative fixing design.

The hatch lock is machined from solid 316-grade stainless steel and is mirror polished. Forming part of our

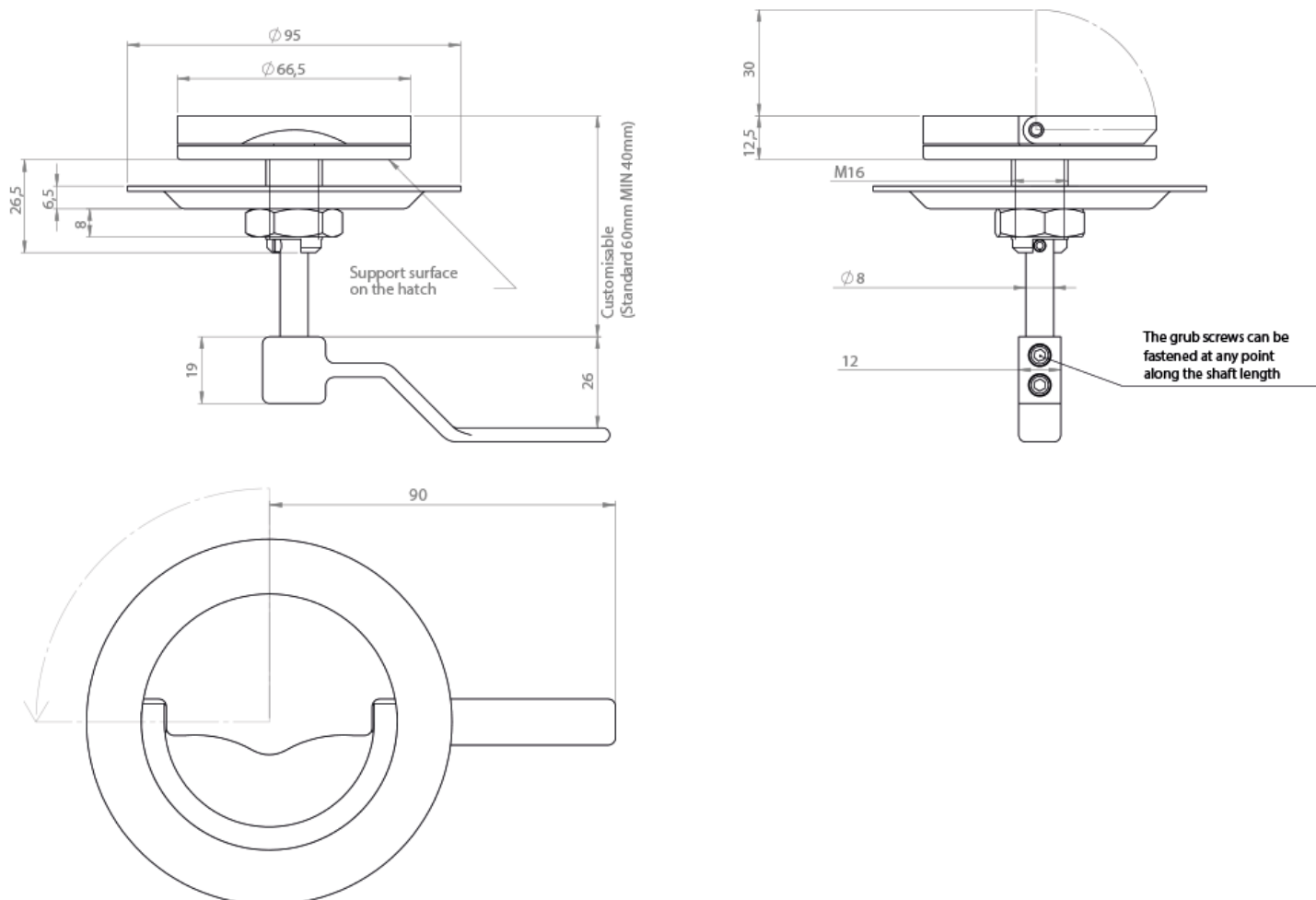
premium range, the lock is hand finished and beautifully engineered; perfect for even the most discerning of customers. Elements such as the optional patented magnetic system for securing the lifting ring/turning handle to the lock body set this hatch lock apart from the rest.

Standard length of the lever shaft is 60mm but other lengths are available on request.

Industrial PVD coatings are available for this product line. PVD offers superior protection and added hardness to a stainless steel product. During the process, colour can be added which completely changes the final product aesthetic. Black PVD is available for example in a gloss or matt finish (see product image gallery).

Please note that not all possible variations are held in stock. Please allow 2 to 3 weeks for delivery.

Description



Additional Information

Diameter (mm)	66.50
Weight (kg)	0.588000
Finish	316 Stainless Steel
Min. Panel Thickness	~20.00
Cut-out Size (mm)	Ø61.00
Depth (mm)	12.50

Product Options

Version:	With Magnetic Handle System
	Without Magnetic Handle System
Locking:	With Key Lock
	No Lock

