

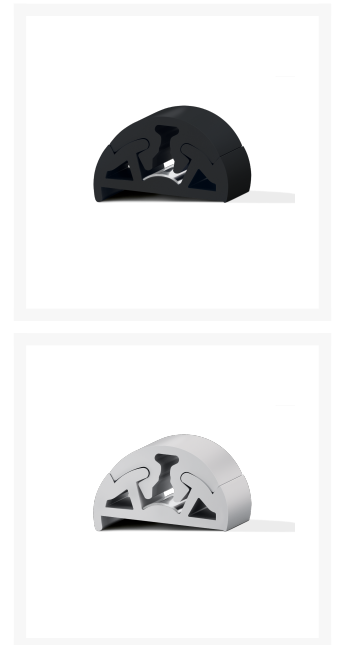


Bino 90 PVC Fender Profile with Lip

From
£48.38

Excl. Tax: £40.32

Product Images



Short Description

Bino 90 with Lip fender profile is robust and easy to install. Unlike the smaller Bino 40 profile, Bino 90 features a hidden stainless steel fixing bar which compresses the profile firmly against the installation surface ([sold separately](#)). Bino 90 with Lip is a medium to heavy duty rub rail, offering excellent impact absorption and resistance to damage. It is a profile that has been designed for a flat surface installation but can be bent to follow curves and various shapes.

The profile comes manufactured in two separate pieces. It has a flexible base section that is fixed to the hull

together with the stainless steel bar. The top piece then covers the screws or rivets, leaving a clean finish with no visible fixings. No joins are necessary, Bino 90 can be ordered in the exact length you require up to 300 metres, ensuring that the entire installation can be carried out with a single continuous piece.

Bino 90 with Lip is perfect for a variety of different marine applications such as yachts, military boats, commercial boats, docks and wharves, tenders, pipe protection, and luxury vessels. End caps are available to complete the installation.

Description

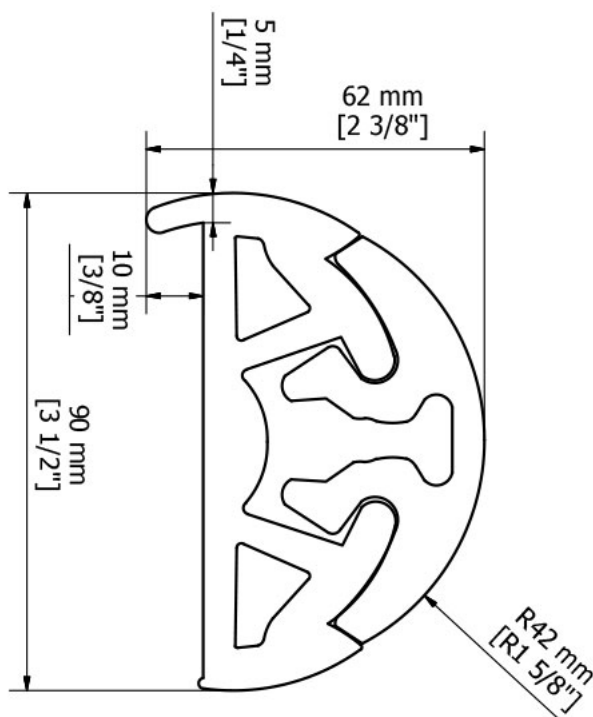
Selling Information

- The Bino Rub Rail comes manufactured in two separate pieces and is sold by the metre. It is produced in custom made sizes or continuous rolls to suit all projects. A maximum roll length of 300 metres can be produced. **Please note that there is a minimum order quantity of 12 metres for this product.**
- **The stainless steel fixing bar is required in order to correctly install Bino 90.**
- Available in three colors: white, black or grey

Materials

- PVC for marine application Shore 83 available in black – white- grey
- Stainless Steel pre-drilled insert bars in 2 meters (sold separately)

Drawing



Installation

Please carefully consult the installation guide found in the downloads section of this page for more information regarding the installation of Bino. It is important that the product is installed according to the manufacturer's guidelines to ensure the correct performance of the profile.

Additional Information

Minimum Bending Radius (mm)	70.00
Radius (mm)	39.70 / 42.10
Material	PVC
Weight (kg)	4.120000
Manufacturer	Tessilmare

Product Options

Finish:	White
	Grey
	Black

