

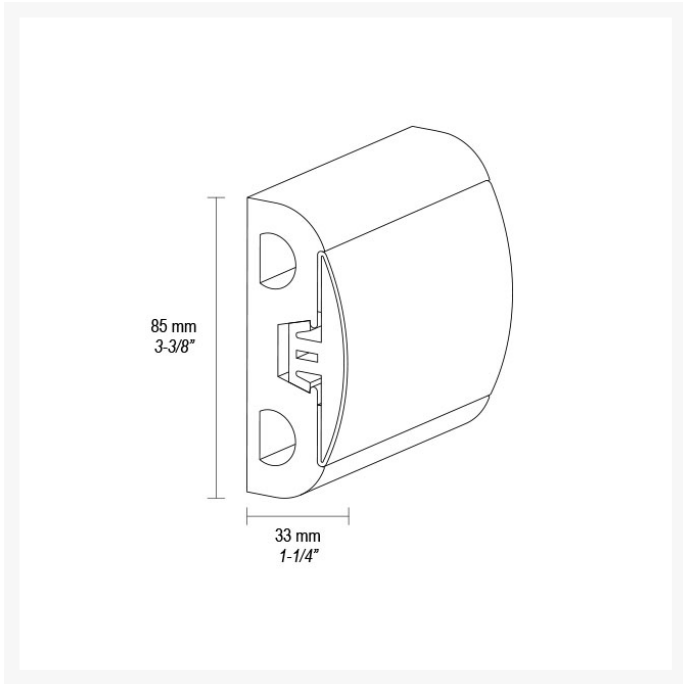
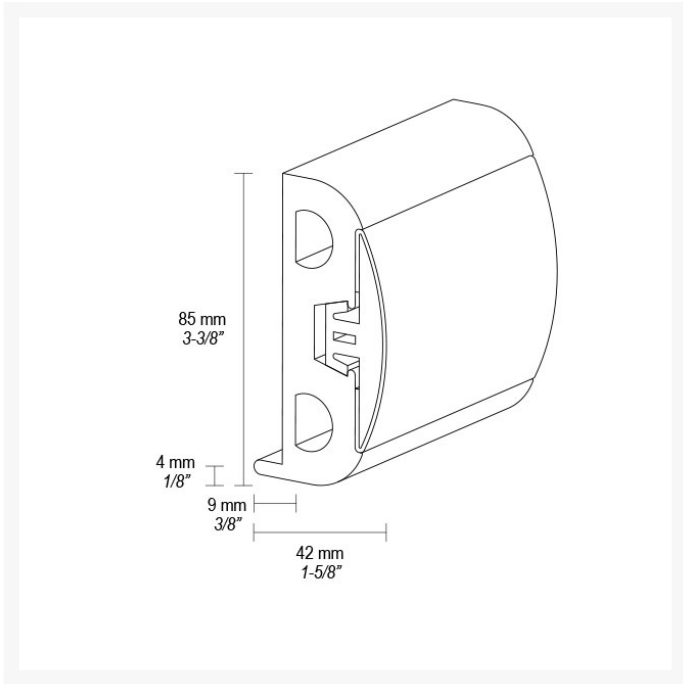


Binox 65 Stainless Steel Fender Profile

From
£157.82
Excl. Tax: £131.52

Product Images







Version without lip pictured



Version without lip pictured



Version without lip pictured

Short Description

Bino-X an innovative and industry leading fendering solution, the first Stainless Steel Fender Profile without Screws. The Bino-X RubRail (Pat Pending) is the latest creation from the highly-qualified nautical engineers at Tessilmare. The Bino-X 65 RubRail is available with a 85 mm PVC base and 65 mm Stainless Steel Insert Component.

The engineers at Tessilmare have used an innovative new process in the construction of the Bino-X rub rail. The 85 mm Stainless Steel Insert is pressure fitted directly into the 65 mm PVC base. This means that you won't see any unsightly screws on the Stainless-Steel surface. This leaves you with a beautiful mirrored finish that will look fantastic on any super yacht or vessel. Less drilling and screwing will also save valuable time on installation, making the process much more affordable.

There are two variants of the Bino-x rub rail profile, one with a lip for installation on a hull and deck joint and another with a completely flat bottomed PVC base for installation on a flat surface.

Please consult our [Technical Team](#) before purchasing this product, we kindly ask to check any drawings or requirements for your project to ensure that this product is suitable.

Description

Selling Information

- The Bino-x Rub Rail comes manufactured in two separate pieces, a mirror polished 316 grade stainless steel bar with a flexible core and a soft marine PVC base track, produced in custom made lengths up to a maximum roll length of 300 metres. Please note that there is a minimum order quantity of 24 metres for this product.
- Available in three base colors: white, black or grey

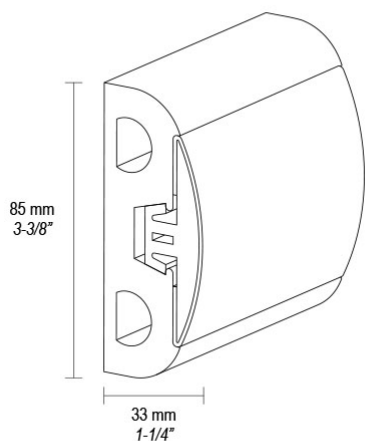
Materials

- 316 grade stainless steel mirror polished
- Flexible Core made from Duralene
- Base PVC for marine application and available in white, black or grey

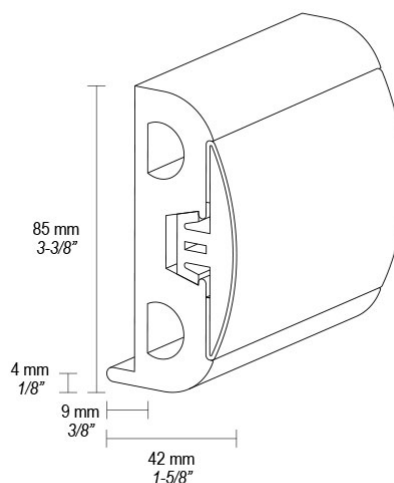
Installation

- Please carefully consult the installation guide found in the downloads section of this page for more information regarding the installation of Bino-x. It is important that the product is installed according to the manufacturer's guidelines to ensure the correct performance of the profile.

Drawing



Flat Base



Base with Lip

Additional Information

Material	AISI 316 Stainless Steel
Weight (kg)	3.690000
Manufacturer	Tessilmare

Product Options

Finish:	Stainless Steel & Black PVC
	Stainless Steel & Grey PVC
	Stainless Steel & White PVC
Version:	Flat Base
	Base With Lip

