



# Premium Hatch Locking Device - FST Stud Fixing - Ø90mm

From

**£165.30**

Excl. Tax: £137.75

## Product Images



## Short Description

This large polished stainless steel hatch lock is designed for either surface mounting or flush recessing into a hatch lid. The product is fitted to the hatch lid using 4x M6 studs (not supplied). An alternative fixing method

is available which makes use of a single nut and counter plate, this can be viewed [here](#).

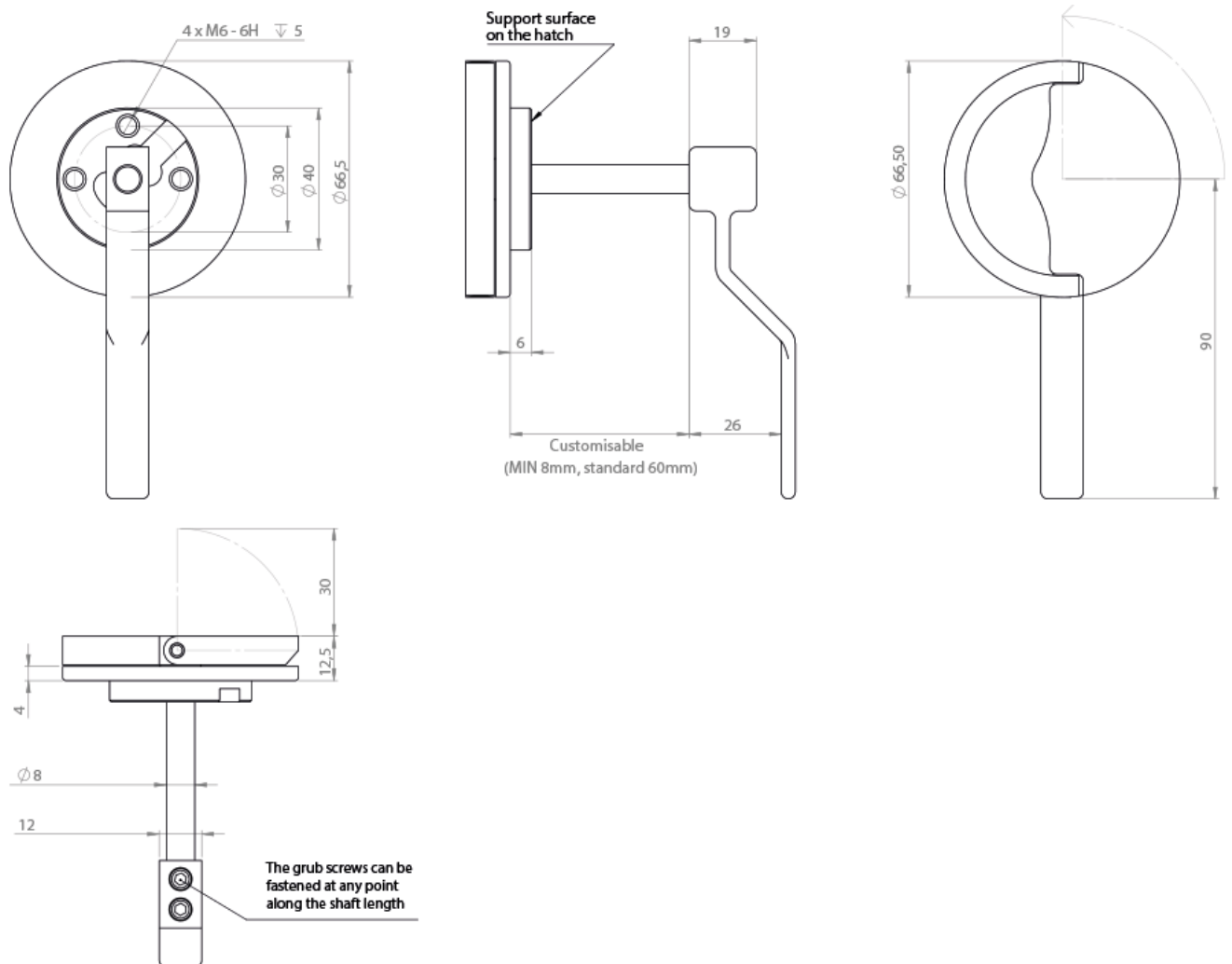
The hatch lock is machined from solid 316-grade stainless steel and is mirror polished. Forming part of our premium range, the lock is hand finished and beautifully engineered; perfect for even the most discerning of customers. Elements such as the optional patented magnetic system for securing the lifting ring/turning handle to the lock body set this hatch lock apart from the rest.

Standard length of the lever shaft is 60mm but other lengths are available on request.

Industrial PVD coatings are available for this product line. PVD offers superior protection and added hardness to a stainless steel product. During the process, colour can be added which completely changes the final product aesthetic. Black PVD is available for example in a gloss or matt finish (see product image gallery).

**Please note that not all possible variations are held in stock. Please allow 2 to 3 weeks for delivery.**

## Description



## Additional Information

---

Diameter (mm)	66.50
Weight (kg)	0.588000
Finish	316 Stainless Steel
Min. Panel Thickness	~20.00
Cut-out Size (mm)	Ø61.00
Depth (mm)	12.50
Stud Fixing	M6
Length (mm)	60

## Product Options

---

Version:	With Magnetic Handle System
	Without Magnetic Handle System
Locking:	With Key Lock
	No Lock

