



Stainless Steel Magnetic Door Lock

£86.06

Excl. Tax: £71.72

Product Images



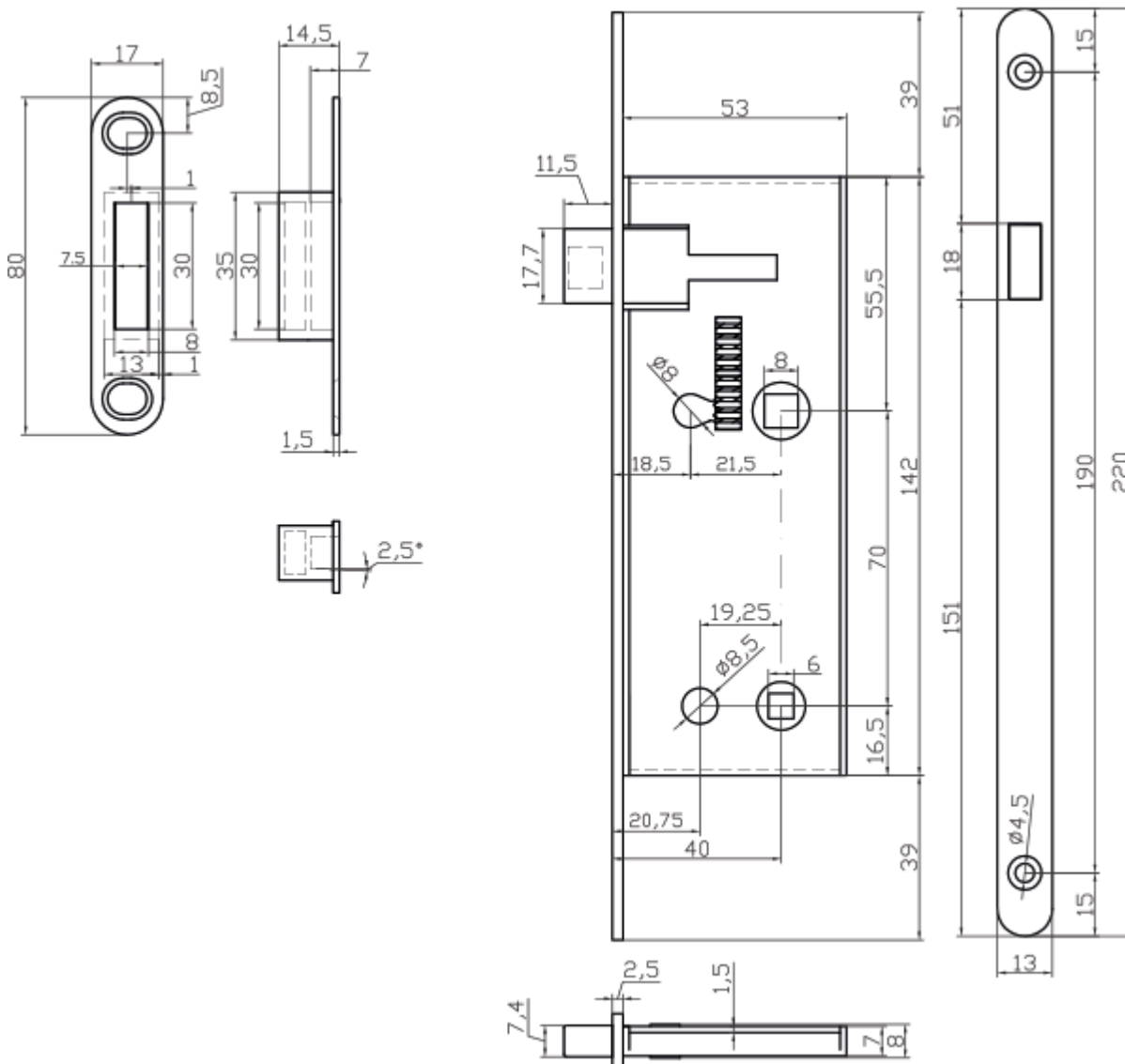
Short Description

A 304 grade stainless steel magnetic door lock including striker plate, with a plastic tongue to reduce rattling and noise. This lock is designed to be used in conjunction with a bathroom privacy snib (sold separately). The snib lock operation blocks the operation of the handle.

The lock contains an internal handle righting spring which assists in returning the door handle to a horizontal position after use. For heavy handles it is recommended that an additional handle rose spring be used in conjunction with this lock.

- The backset for the handle and snib is 40mm
- The handle follower accepts an 8mm spindle
- The snib follower accepts a 6mm spindle

Description



Additional Information

Lock Type	Mortise Lock
Privacy Spindle (mm)	6.00
Latch Length (mm)	53.00
Latch Height (mm)	142.00
Latch Width (mm)	8.00
Face Plate Width (mm)	13.00
Face Plate Length (mm)	220.00
Finish	304 Stainless Steel
Manufacturer	Razeto & Casareto
Weight (kg)	0.340000

