



San Martino Pilot Seat

Product Images





Short Description

The San Martino pilot seat is a cost effective and beautifully finished product, available in a number of upholstery options, the San Martino can be customised to suit many applications. The seat features a flip-up bolster with a stainless steel mechanism, a Starboard seat base structure and foam covered GRP backrest moulding.

This pilot seat is ideally suited to exterior installation, either on small open craft or the flybridge of a larger yacht. The product is made to order, please [contact us](#) to discuss specification.

- GRP structure
- Compatible with a wide range of pedestal options

- Suitable for exterior use
- Can be produced in a wide range of fabrics, including Silvertex and Diamante
- Heat-welded patterned fabric available for backrest and seat base
- Embroidery to headrest available on request

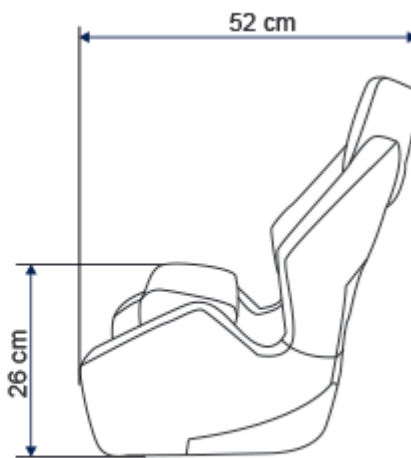
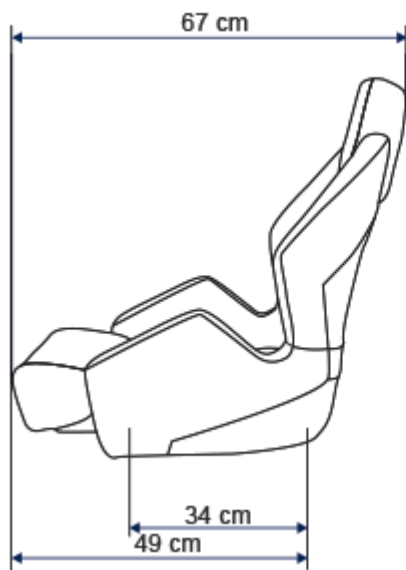
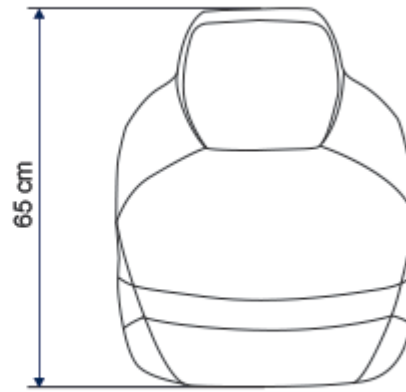
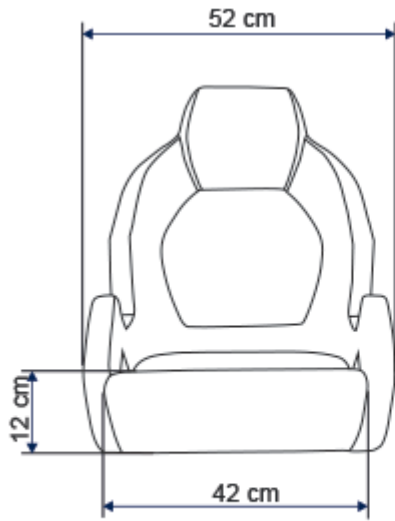
(Pictured in Silvertex Macadamia 122-0001 and Hitch Putty 8912)

Description

A Fully Customisable Solution

The *San Martino* can be upholstered to suit an individual client's needs. Choose from a broad range of marine vinyls, fabrics or the innovative Sileather 100% silicone material. Choose the thread detail to suit the project whether it be self-colour or contrast. Details such as embroidered logos or quilting can all be requested to make this seat truly your own.





Perfectly Proportioned

The *San Martino* is compact and highly supportive. With a practical flip-up bolster, the seat is ideal for a standing or seated driving position. The seat can be customised upon request.*

*Minimum order quantity may apply - for marine trade customers only

