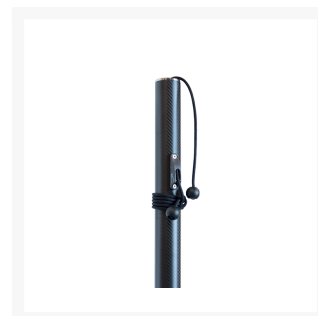


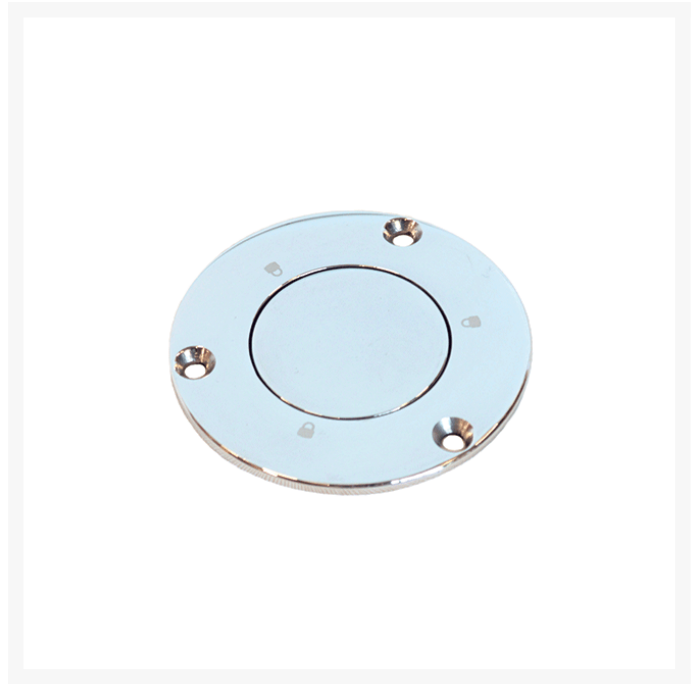
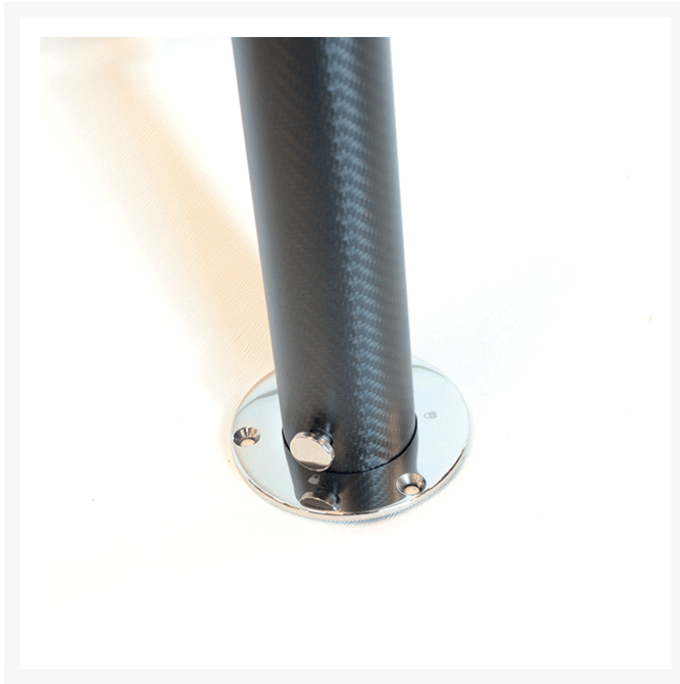


S60 Carbon Fibre Sun Shade Kit - Clamcleat®

From
£1,537.15
Excl. Tax: £1,280.96

Product Images





Short Description

Removable carbon fibre sun awning kit. Kit includes a carbon fibre pole and an S60 stainless steel deck socket.

- Matt black carbon fibre pole sold in 3 standard lengths, custom lengths available on request.
- Fabric is fastened, tension and can be adjusted using the Clamcleat® cleat system
- Self-locking base with patented trigger release action
- Straight S60 base socket with self-rising lid.

Sun shade fabric not supplied.

Description

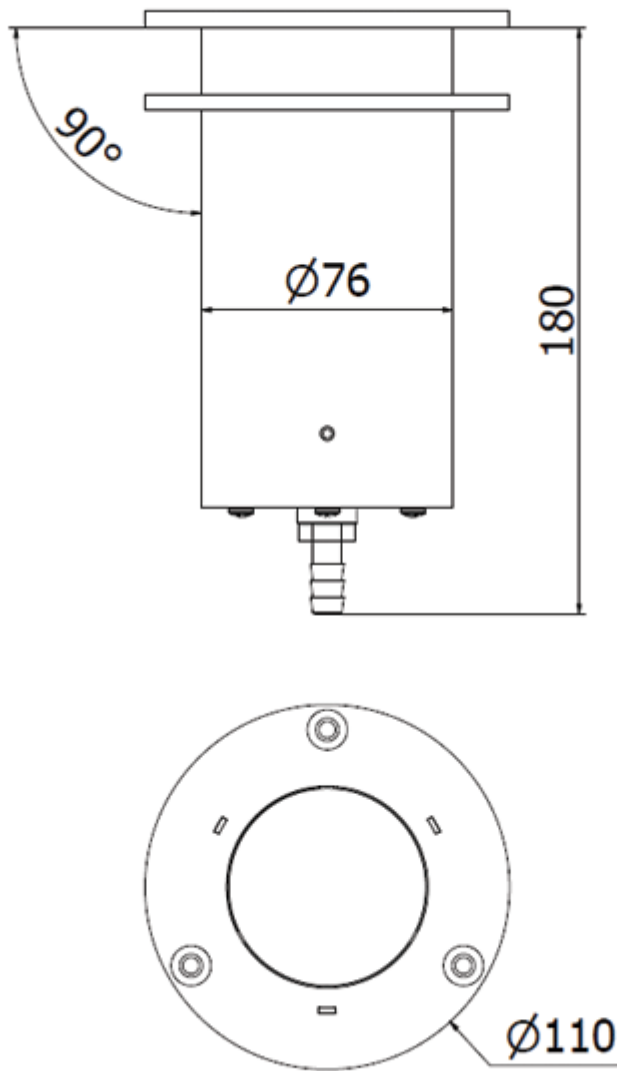
Awning Pole

Ø60mm carbon fibre pole for sun awning systems designed for use on yachts. The carbon fibre pole is finished with a matt lacquer and is available in three different standard heights, 1.80m, 2.00m and 2.10m. Alternative lengths are available on request,

The carbon fibre pole is supplied with a Clamcleat® rope fastening system in order to secure the fabric. This system supports rope from 4-8mm in diameter.

This Ø60mm pole design is suitable for larger awning sizes and offers a strong and stable support. The pole can be used in any number of configurations together with other poles.





Base Socket

The innovative patented socket features a self-rising lid design. No need to screw and unscrew a lid, just simply push to pole straight into the socket and release with a spring loaded button installed on the base of the docked accessory. The socket also features a drain, allowing any water that enters to be sent straight to the bilge.

The S60 base socket is available with a straight insert and visible fixing combination only.

Additional Information

Cut-out Size (mm)	Ø76.00
Weight (kg)	5.200000
Manufacturer	Nautinox
Pole Diameter	60.00
Finish	316 Stainless Steel & Gloss Carbon Fibre
Base Depth	180.00
Base Diameter (mm)	110.00
Recess Diameter (mm)	76.00

Product Options

Pole Height:	1800.00
	2000.00
	2100.00

